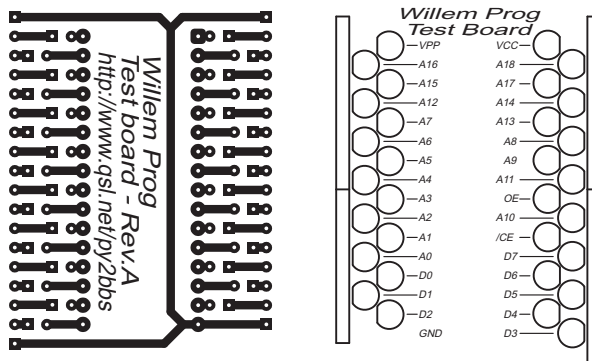
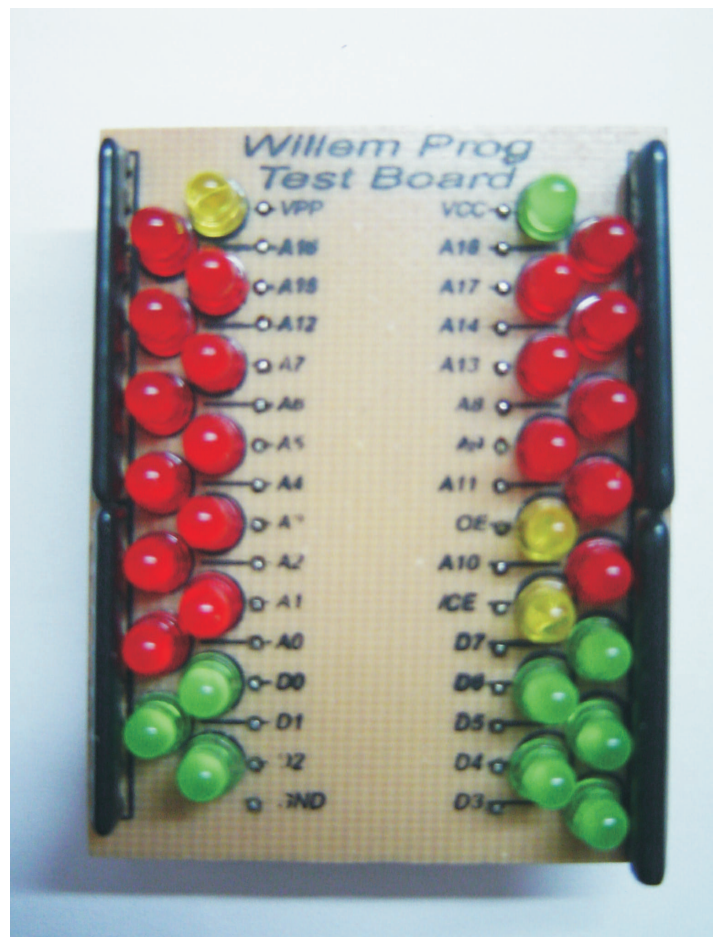


Inverted (mirror)



Normal



Leds = 3mm

R-Pack resistors = 4K7 x8

Made by Luciano, PY2BBS

<http://www.msxpro.com/py2bbs>