

INSTRUCTIONS FOR COBRA MODEL CA-50 "DYNAMIKE PLUS" AMPLIFIED MOBILE MICROPHONE

The Cobra Model CA-50 "DYNAMIKE PLUS" is an amplified microphone, designed for mobile operation with CB radios. It includes a solid state amplifier and adjustable gain control.

Your DYNAMIKE PLUS is packaged in a handsome, molded, black professional handpiece. The dual transistor amplifier—in addition to providing more talk power—accentuates the more desirable and useful frequencies of your voice.

The CA-50 allows you to communicate effectively whether you are speaking in a normal voice at a distance from the microphone, or talking close to it.

INSTALLATION

Your Cobra DYNAMIKE PLUS comes equipped with a four-pin connector already installed on the cable. When used with any Cobra radio, all you have to do is plug the CA-50 into your radio.

To install the battery, remove the battery cover screw at the back, and make certain the battery is properly oriented as indicated by + and - signs.

OPERATION

NOTE

Be careful to set the CA-50 gain control to an optimum level for best intelligibility; excessive gain can result in undesirable distortion.

Amplified microphones should not be operated close to speakers nor to antennas to avoid possibility of acoustic or RF feedback.

Depress the push-to-talk switch and speak in your normal voice.

USING THE CA-50 WITH RADIOS OTHER THAN COBRA

Alternate Wiring

See Fig. 2 and 3 for alternate wiring diagrams to meet requirements of different cable connectors on radios other than Cobra models.

COBRA MODEL CA-50 PARTS LIST

| SCHEMATIC SYMBOL | DESCRIPTION | COBRA PART NO. |
|------------------|-------------|----------------|
|------------------|-------------|----------------|

RESISTOR

| | | |
|----|---------------------|---------------|
| R7 | 10k, variable | 008-271-9-001 |
|----|---------------------|---------------|

MISCELLANEOUS

| | | |
|-----|---------------------------------------|---------------|
| BT1 | 7V battery, type T175 | 210-006-9-001 |
| MK1 | Microphone, dynamic element | 562-012-9-001 |
| Q1 | Transistor, NPN 2SC536(E) | 176-058-9-001 |
| Q2 | Transistor, NPN 2SC536(E) | 176-058-9-001 |
| S1 | Switch, miniature, DPDT | 080-006-9-001 |
| | Knob, volume control | 751-132-9-001 |
| | Cord, coiled | 427-017-9-001 |
| | 4-pin connector, female | 771-022-9-001 |
| | Housing, front | 380-259-9-001 |
| | Housing, back | 380-260-9-001 |
| | Stud, microphone clip (plastic) | 380-261-9-001 |
| | Screw, stud mounting | 634-063-9-001 |
| | Cover, battery | 380-262-9-001 |

NOTE: Standard value resistors and capacitors are not listed. Values may be obtained from schematic diagram. Minimum charge \$5.00 per invoice. Orders will be shipped C.O.D. unless previous open account arrangements have been made or remittance accompanies order. Advance remittance must cover postage or express charges. Specify serial number when ordering replacement parts.

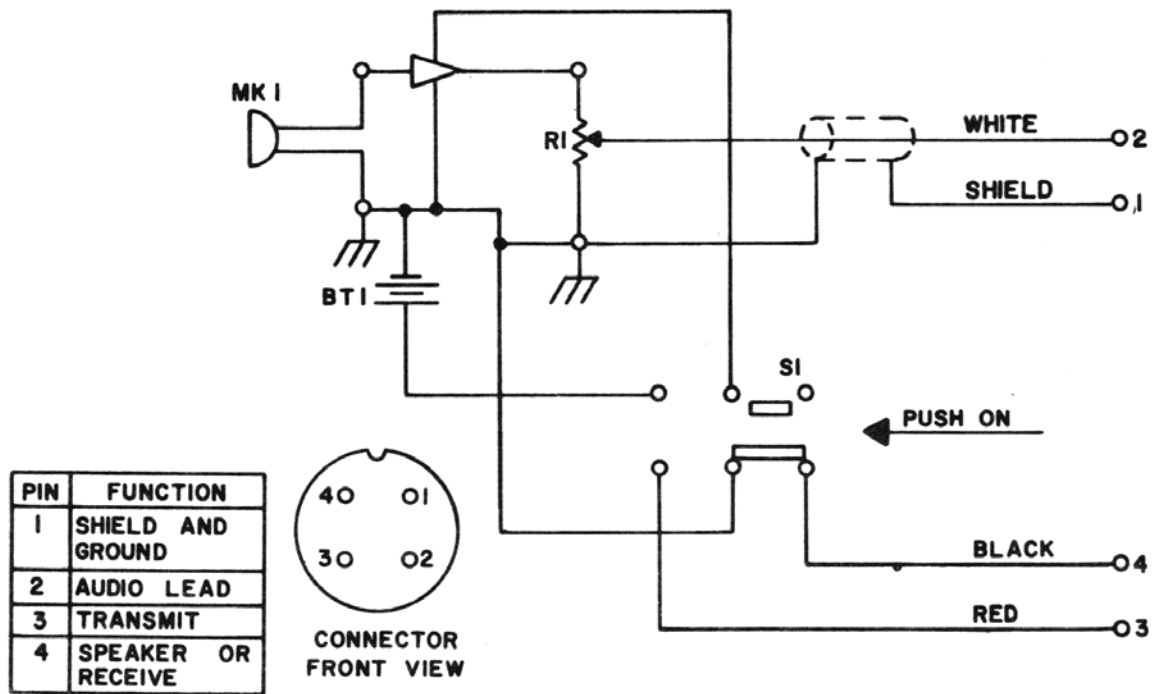


Fig. 1. Basic wiring diagram

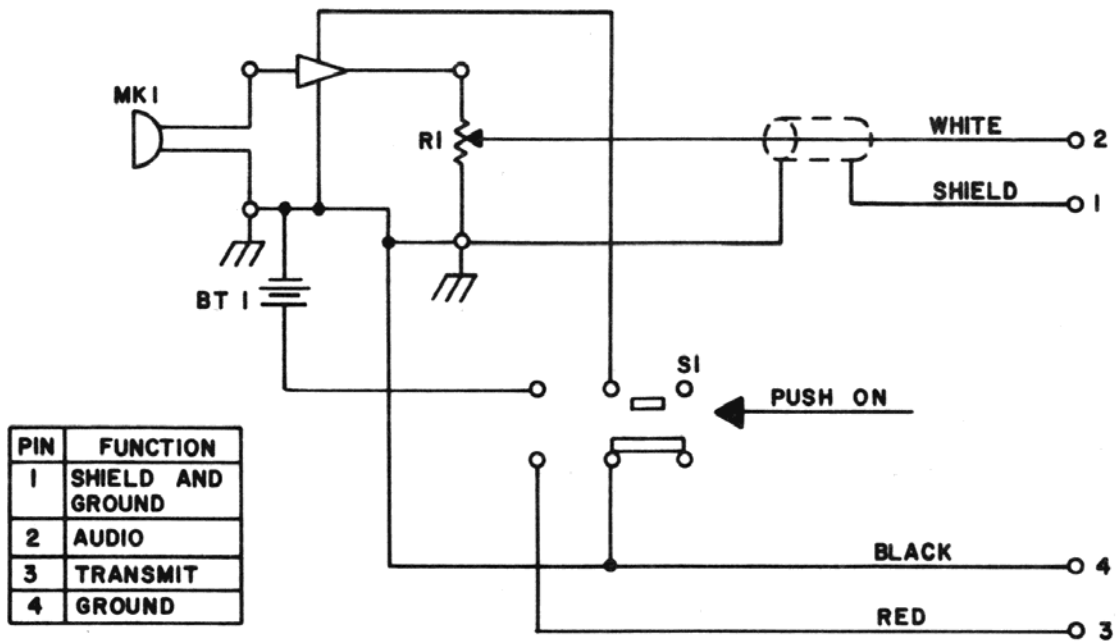


Fig. 2. Alternate wiring diagram

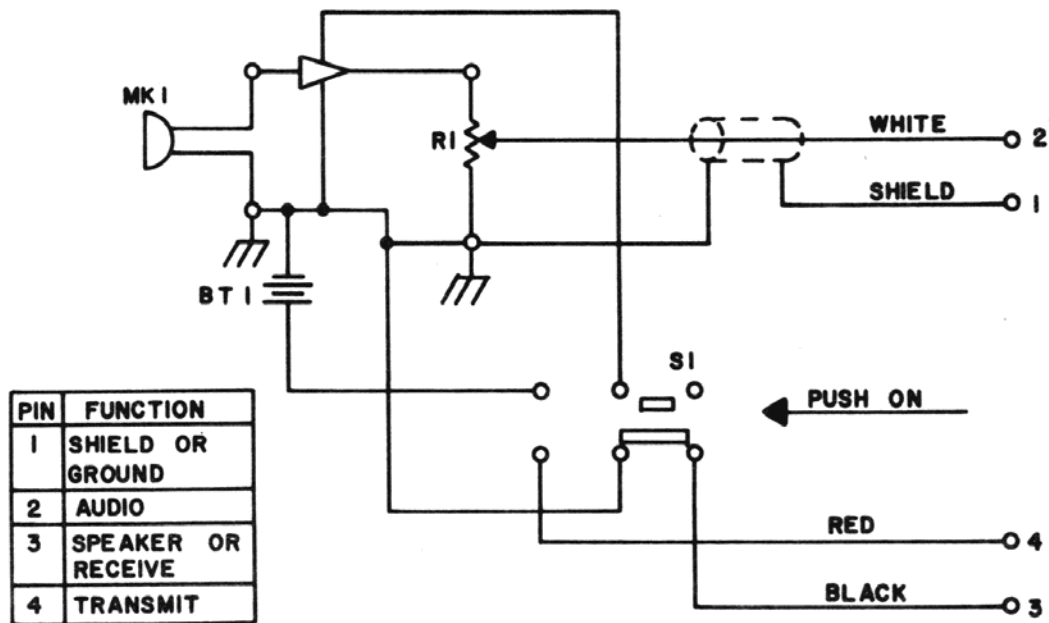


Fig. 3. Alternate wiring diagram.

MODEL CA-50 SPECIFICATIONS

| | |
|----------------------------|--|
| TYPE: | Amplified dynamic microphone. |
| IMPEDANCE: | 900 ohms, $\pm 30\%$ at 1 kHz. |
| FREQUENCY RESPONSE: | Voice range. |
| AMPLIFIER | |
| VOLTAGE GAIN: | 26 dB, ± 3 dB at 1 kHz with gain control at 10. |
| PATTERN: | Omnidirectional. |
| OUTPUT LEVEL: | -42 dB, ± 5.5 dB at 1 kHz with gain control set at 10. |
| COILED CABLE | 10 inches to 5 feet. |
| WEIGHT: | 8 oz. |
| BATTERY; | One type T175 or E175 (not supplied). |

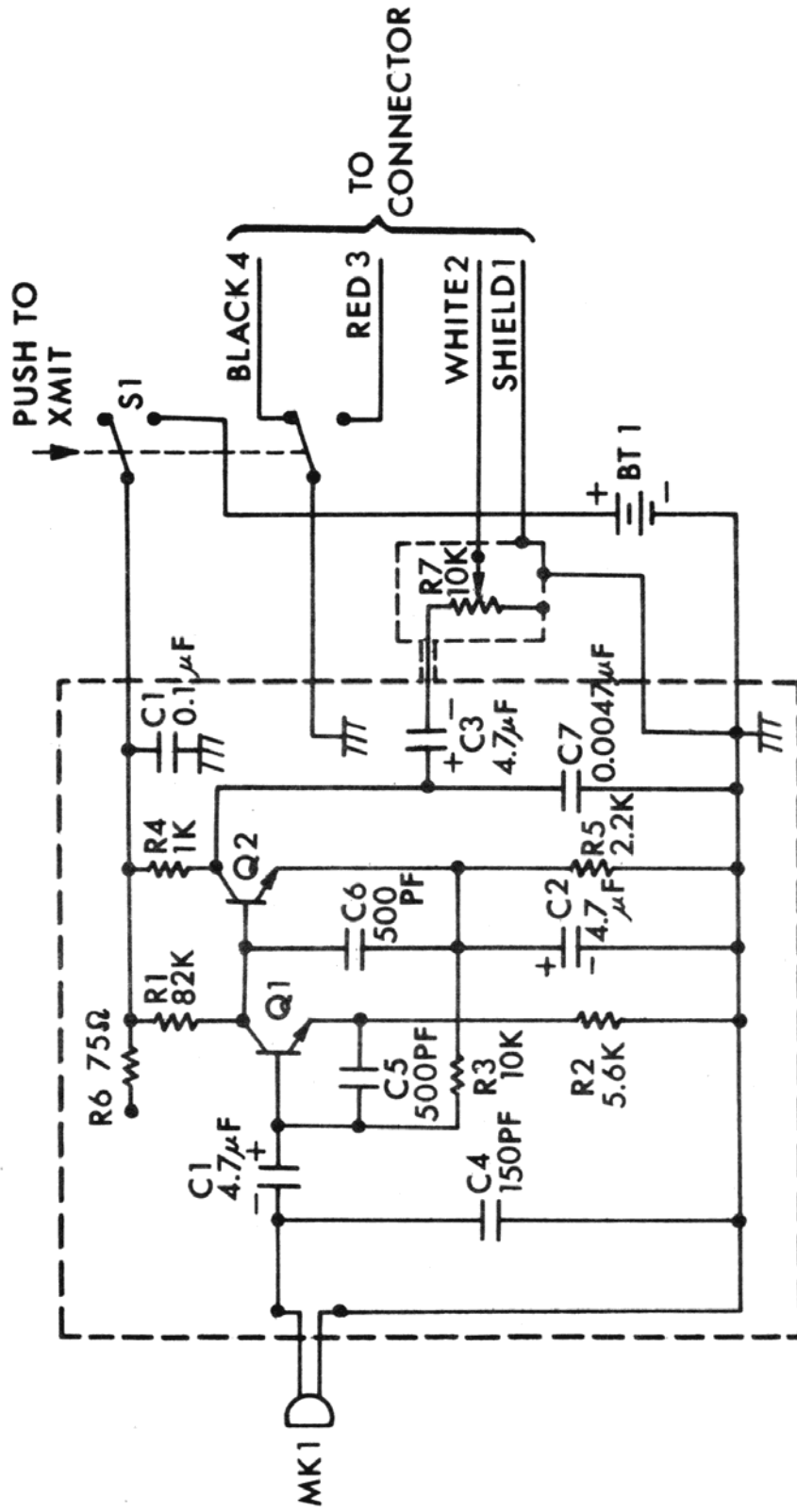


Fig. 4. Model CA-50 schematic diagram.

WARRANTY SERVICE INSTRUCTIONS

1. To secure warranty service on your Cobra Model CA-50 DYNAMIKE PLUS, pack the unit carefully and forward prepaid to the nearest Cobra Communications service agency.
2. For the name of your nearest Cobra service agency, contact your local Cobra dealer, or write to:

Service Department

Cobra Communications Product Group
DYNASCAN CORPORATION
2815 West Irving Park Road
Chicago, Illinois 60618

90-DAY LIMITED WARRANTY

"DYNASCAN warrants that each product manufactured by it will be free from defects in materials and workmanship under normal usage and service for a period of ninety days after its purchase new from an authorized COBRA distributor. Our obligation under this warranty is limited to repairing or replacing any product or component which we are satisfied does not conform with the foregoing warranty and which is returned to our factory or our authorized service contractor, transportation prepaid, and we shall not otherwise be liable for any damages, consequential or otherwise. *The foregoing warranty is exclusive and in lieu of all other warranties (including any warranty of merchantability), whether expressed or implied.* Such warranty shall not apply to any product or component (i) repaired or altered by anyone other than DYNASCAN or its authorized service contractor (except normal tube replacement) with DYNASCAN's prior written approval; (ii) tampered with or altered in any way or subjected to misuse, negligence or accident, (iii) which has the serial number altered, defaced or removed; or (iv) which has been improperly connected, installed or adjusted otherwise than in accordance with DYNASCAN's instructions. DYNASCAN reserves the right to discontinue any model at any time or change specifications or design without notice and without incurring any obligation. *The warranty shall be void and there shall be no warranty of any product or component if a DYNASCAN warranty registration card is not properly completed and postmarked to the DYNASCAN factory within ten days after the purchase of the product new from an authorized COBRA distributor.*



Communications Product Group
DYNASCAN CORPORATION
6460 West Cortland Street
Chicago, Illinois 60635

481-073-9-001