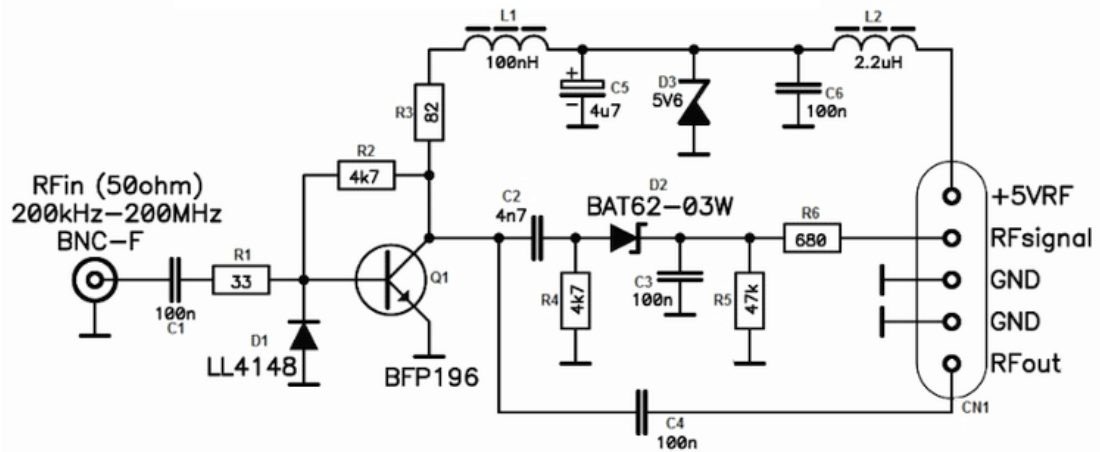
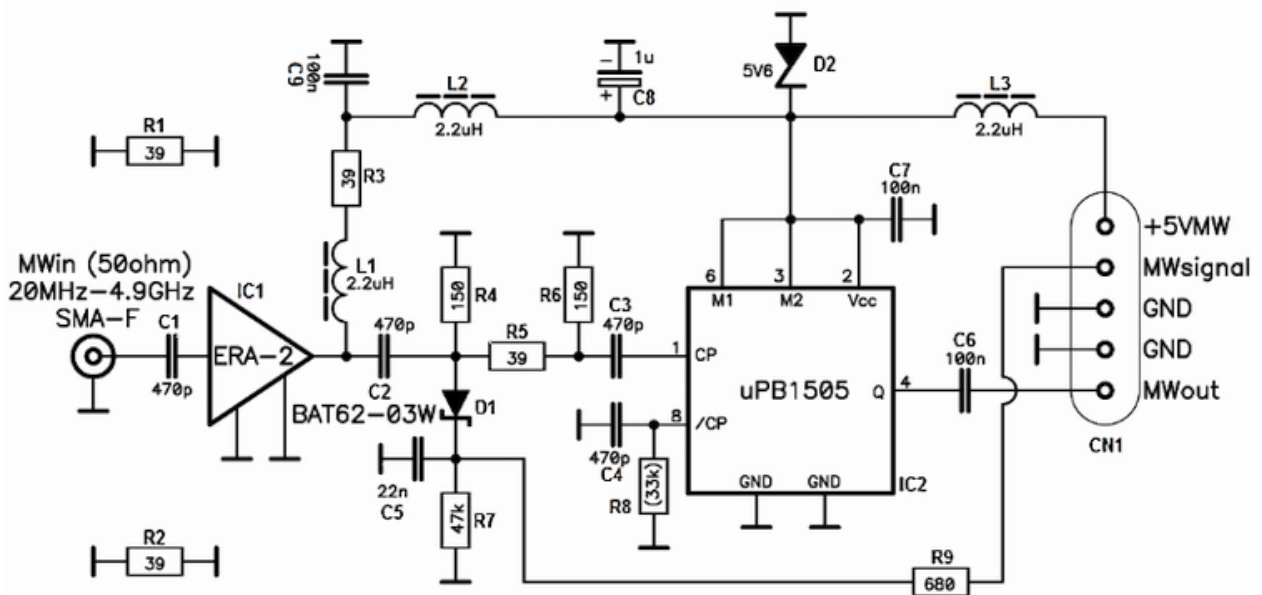


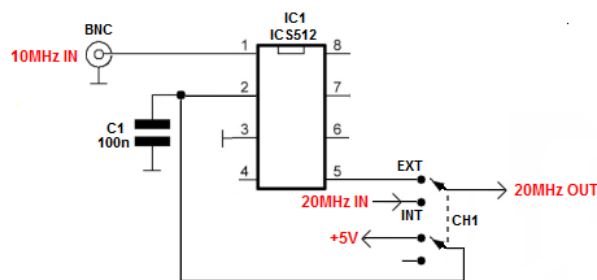
Front-end RF (200kHz-200MHz)



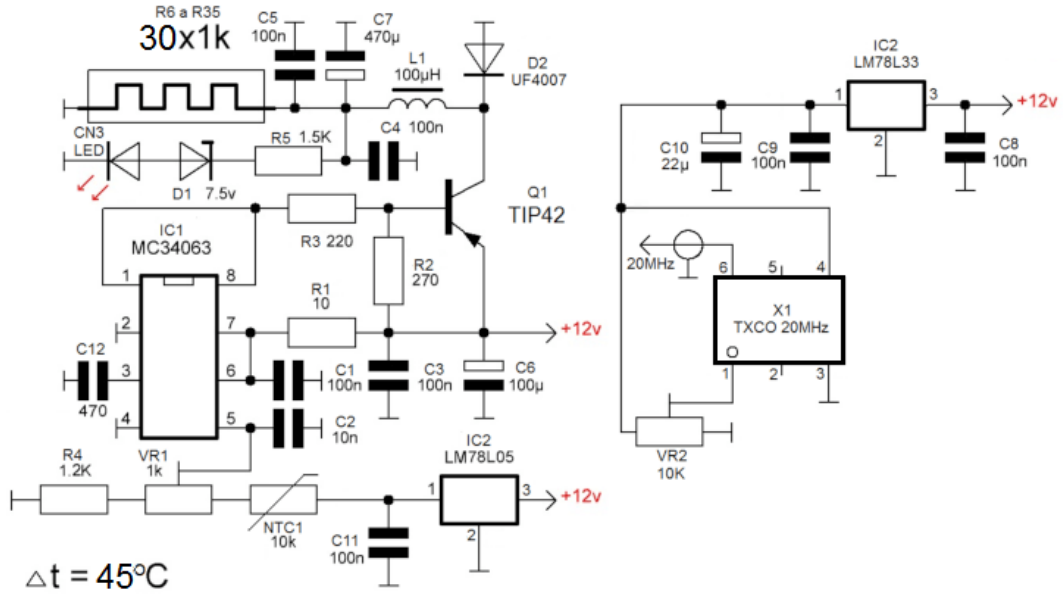
Front-end MW (20MHz-4.9GHz)



Multiplicador de Clock

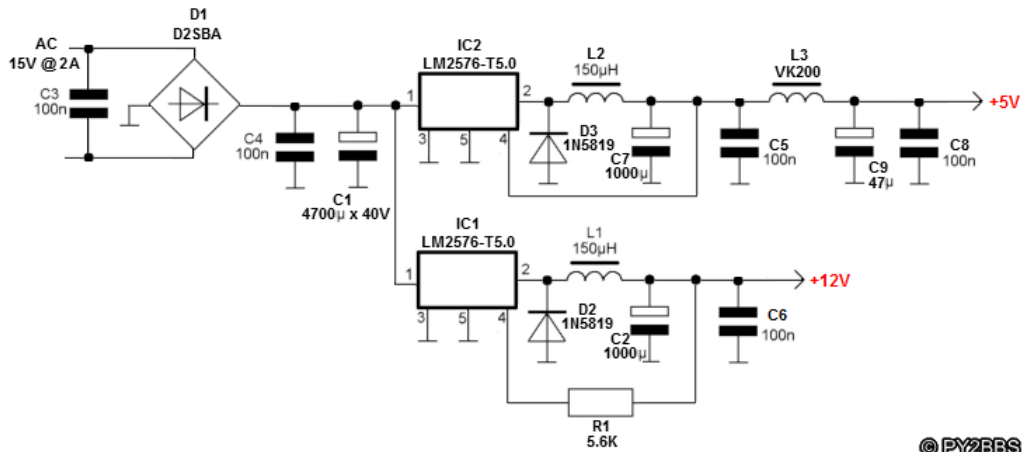


OCXO 20MHz



© PY2BBS

Fonte 5V e 12V



© PY2BBS